

**ABSOLUTE MAXIMUM RATINGS**

Item	Symbol	Min.	Max.	Unit
Supply Voltage(Logic)	Vdd - Vss	-0.3	3.6	V
Supply Voltage(LCD)	Vlcd	-0.3	16.0	V
Input Voltage	Vi	-0.4	Vdd2	V
Operating Temp.	Topr	-10	60	°C
Storage Temp.	Tstg	-20	70	°C

**MECHANICAL DATA**

Item	Max.	Unit
Module Size (W X H X T)	96 X 78 X 4.9	mm
Viewing Area(W X H)	90.0 X 63.0	mm
Dot Pitch(W X H)	0.50 X 0.47	mm
Dot Size(W X H)	0.47 X 0.44	mm
View Angle	6 O'Clock	

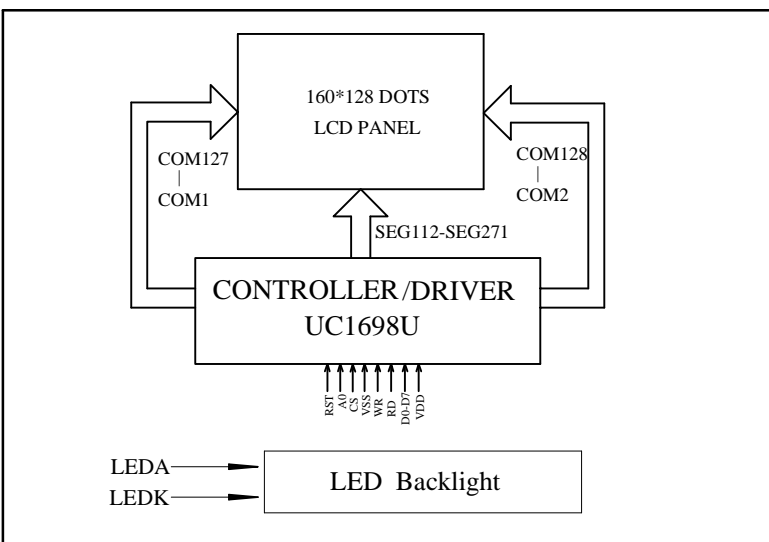
**ELECTRICAL CHARACTERISTICS (Vdd=3.0V±0.3V)**

Item	Symbol	Test Condition	Min.	Typ.	Max.	Unit
Input High Voltage	Vih	--	2.4	--	Vdd	V
Input Low Voltage	Vil	--	--	--	0.2Vdd	V
Output High Voltage	Voh	--	0.8Vdd	--	--	V
Output Low Voltage	Vol	--	--	--	0.2Vdd	V
Current consumption	Idd	Vdd=3.0V	--	158	237	μ A
LCD Driving Voltage	V0	Ta=25 °C	--	16	--	V

**PIN CONNECTIONS**

Pin	Symbol	Function
1-11	NC	
12-15	VDDA	VDDA=3.3V
16-19	VSS	Ground
20-21	VDDI	VDDI=1.8V
22	NC	
23	CS	Chip select pin
24-26	NC	
27	RST	Reset signal input
28	/RD	Read Enable Signal
29-36	D7-D0	Display Data Signal
37	/RW	Write Select Signal
38	A0	"L": Control data "H": Display data
39-40	NC	

**BLOCK DIAGRAM**



**LCD Type**

LCD Color	Backlight
FSTN/POSITIVE	White side LED/3.2V,75mA