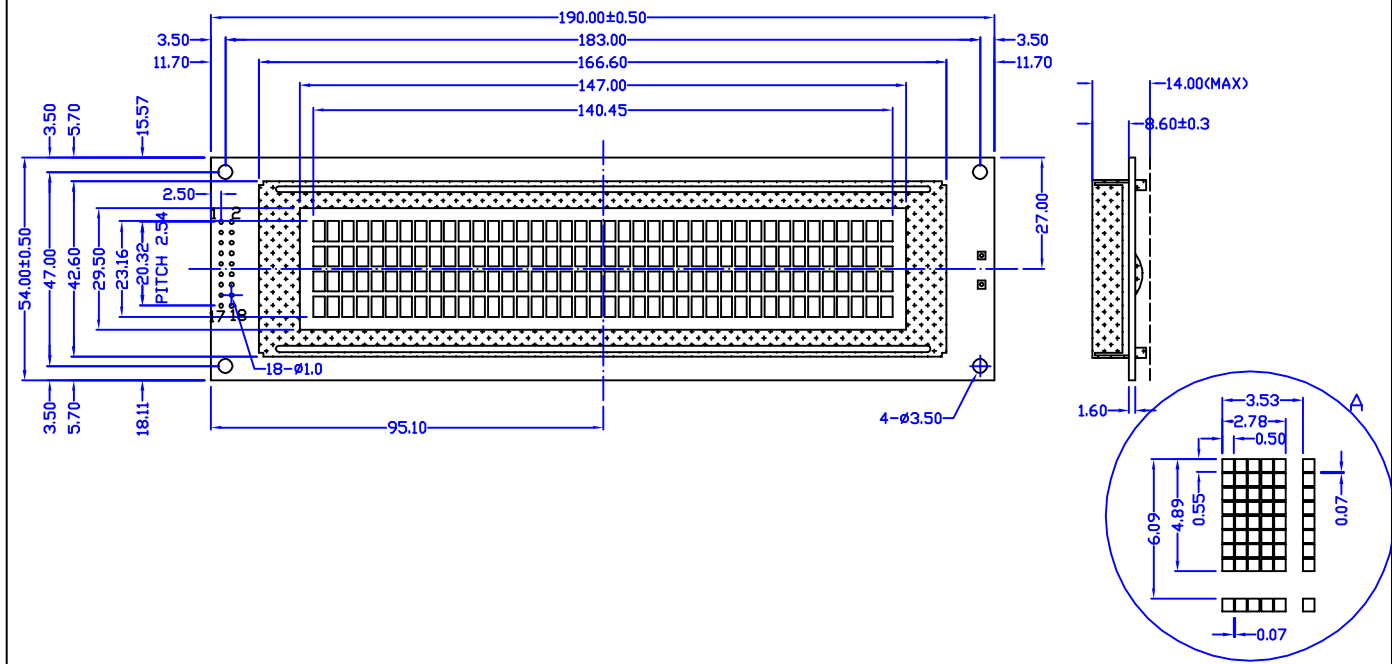


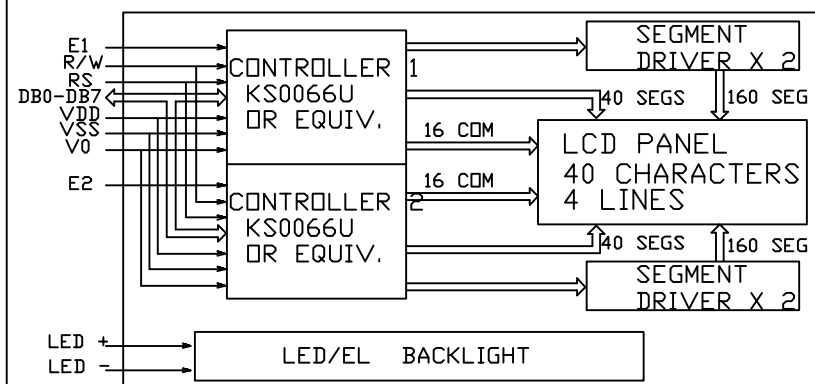
CUSTOMER'S APPROVED:

DATE:

REVISIONS			
NO.	DATE	BY	DESCRIPTION
1	06/06/18	Qing	NEW RELEASE



Block Diagram



Feature

1. BUILT IN CONTROLLER: SPLC780D
2. POWER SUPPLY: 5.0V
3. LCD TYPE: BLUE STN, TRANSMISSIVE
4. BACKLIGHT: LED SIDE BACKLIGHT
5. COLOUR OF BACKLIGHT: WHITE
6. 5X8 DOTS WITH CURSOR
7. VIEWING ANGLE: 6 O'CLOCK
8. TEMPERATURE RANGE: EXTENDED(-20--70)
9. LOW CONSUMPTION, LOW VOLTAGE, HIGH CONTRAST

Mechanical Data

ITEM	SPECIFICATION	UNIT
OVERALL SIZE	190.0W x 54.0H x 14.0T	MM
VIEWING AREA	147.0W x 29.5H	MM
DOT NUMBER	40 CHARACTERS X 4 LINES	DOTS
DOT SIZE	2.78W x 4.89H	MM
DOT PITCH	3.53W x 6.09H	MM

Pin Assignment

NO.	SYMBOL	DESCRIPTION
1--8	DB7--DB0	DATA BUS
9	E1	ENABLE SIGNAL FOR CONTROLLER 1
10	R/W	READ/WRITE CONTROL
11	RS	DATA/INSTRUCTION SELECT
12	V0	OPERATING VOLTAGE FOR LCD
13	VSS	GROUND
14	VDD	POWER SUPPLY FOR LOGIC AND LCD
15	E2	ENABLE SIGNAL FOR CONTROLLER 2
16	NC	NO CONNECTION
17	A	LED BACKLIGHT POWER SUPPLY(+)(+5V)
18	K	LED BACKLIGHT POWER SUPPLY(-)(0V)

Absolute Maximum Rating

ITEM	SYMBOL	MIN	MAX	UNIT
POWER SUPPLY(LOGIC)	VDD-VSS	0	6.5	V
POWER SUPPLY(LCD DRV.)	VDD-V0	0	18.0	V
INPUT VOLTAGE	VI	VI	VDD	V

Electrical Characteristics

ITEM	SYMBOL	MIN	TYP	MAX	UNIT
VOLTAGE FOR LOGIC	VDD-VSS	4.75	5.0	5.25	V
SUPPLY CURRENT	IDD	-	1.0	2.2	mA
LCD OPERATING VOLTAGE	VDD-V0	0C	-	5.0	-
		25C	-	4.7	-
		40C	-	4.4	-
INPUT VOLTAGE	H	VIH	0.7VDD	-	VDD
	L	VIL	0	-	0.3VDD

DESCRIPTION: C/D	Distar Technology Limited	
GENERAL TOL: ±0.2	www.distarltd.com	Drw WXR
DO NOT SCALE THIS DRAWING.	Unit:mm	Chk Apv

DS-C4004A-BTSSWE-NAA