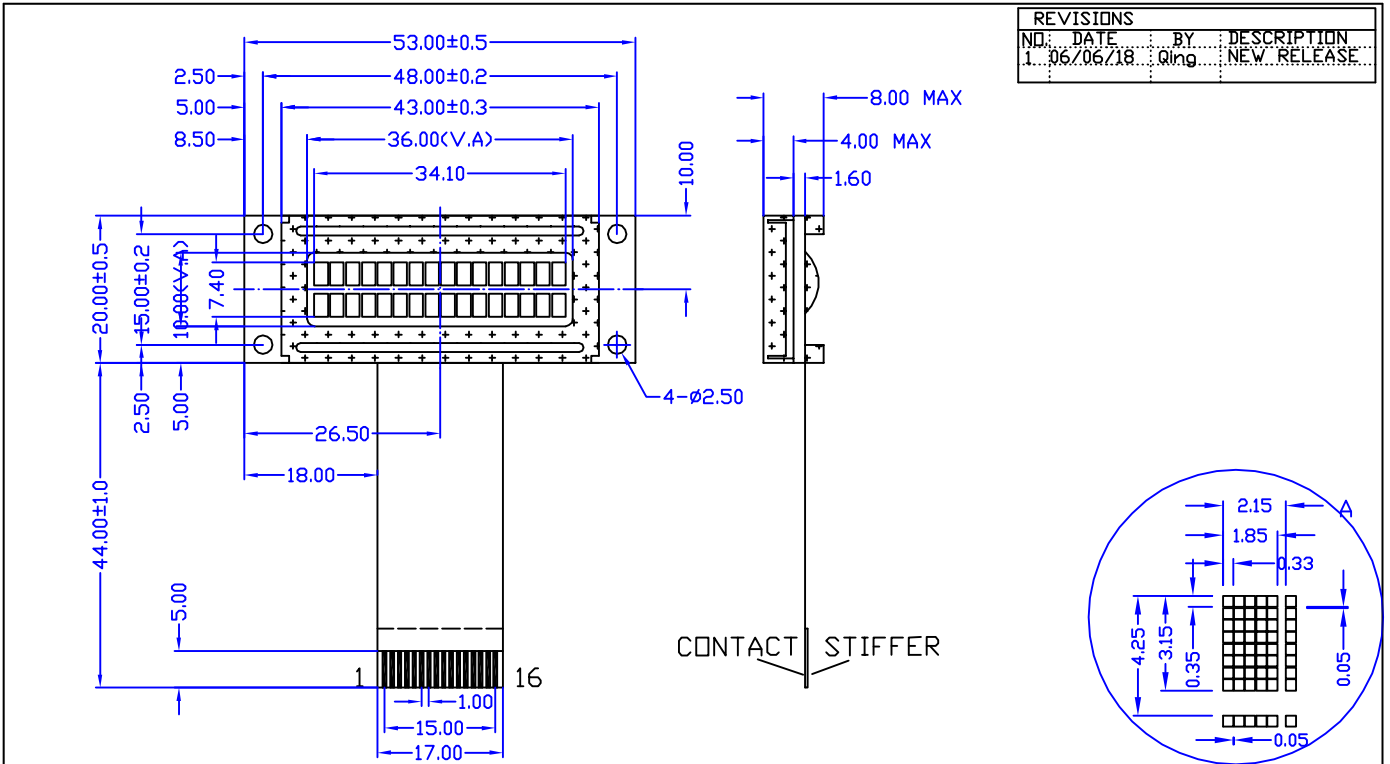


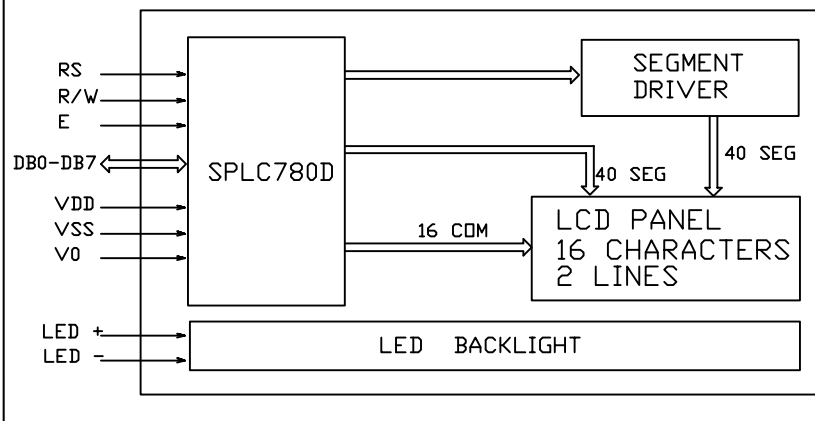
**CUSTOMER'S APPROVED:**

**DATE:**

REVISIONS			
NO.	DATE	BY	DESCRIPTION
1.	06/06/18	Qing	NEW RELEASE



**Block Diagram**



**Feature**

1. BUILT IN CONTROLLER: SPLC780D
2. POWER SUPPLY: 5.0V
3. LCD TYPE: YELLOW/GREEN STN, TRANSFLECTIVE
4. BACKLIGHT: LED SIDE BACKLIGHT
5. COLOUR OF BACKLIGHT: YELLOW/GREEN
6. 5X8 DOTS WITH CURSOR
7. VIEWING ANGLE: 6 O'CLOCK
8. TEMPERATURE RANGE: EXTENDED(-20--70)
9. LOW CONSUMPTION, LOW VOLTAGE, HIGH CONTRAST

**Mechanical Data**

ITEM	SPECIFICATION	UNIT
OVERALL SIZE	53.0W × 20.0H × 8.0T	MM
VIEWING AREA	36.0W × 10.0H	MM
DOT NUMBER	16 CHARACTERS X 2 LINES	DOTS
DOT SIZE	1.85W × 3.15H	MM
DOT PITCH	2.15W × 4.25H	MM

**Pin Assignment**

NO.	SYMBOL	DESCRIPTION
1	VSS	GROUND
2	VDD	POWER SUPPLY FOR LOGIC AND LCD
3	V0	OPERATING VOLTAGE FOR LCD
4	RS	DATA/INSTRUCTION SELECT
5	R/W	READ/WRITE CONTROL
6	E	ENABLE SIGNAL
7--14	DB0--DB7	DATA BUS
15	A	LED BACKLIGHT POWER SUPPLY(+)
16	K	LED BACKLIGHT POWER SUPPLY(-)

**Absolute Maximum Rating**

ITEM	SYMBOL	MIN	MAX	UNIT
POWER SUPPLY(LOGIC)	VDD-VSS	0	6.5	V
POWER SUPPLY(LCD DRV.)	VDD-V0	0	18.0	V
INPUT VOLTAGE	VI	VI	VDD	V

**Electrical Characteristics**

ITEM	SYMBOL	MIN	TYP	MAX	UNIT
VOLTAGE FOR LOGIC	VDD-VSS	4.75	5.0	5.25	V
SUPPLY CURRENT	IDD	-	1.0	2.2	mA
LCD OPERATING VOLTAGE	VDD-V0	10C	-	5.0	V
		25C	-	4.6	V
		40C	-	4.4	V
INPUT VOLTAGE	H VIH	0.7VDD	-	VDD	V
	L VIL	0	-	0.3VDD	V

DESCRIPTION: C/D	Distar technology Limited		
GENERAL TOL: ±0.2	<a href="http://www.distarltd.com">www.distarltd.com</a>	Drw	wXR
DO NOT SCALE THIS DRAWING.		Unit:mm	Chk Apv

DS-C1602E-YFSSYE-NAA