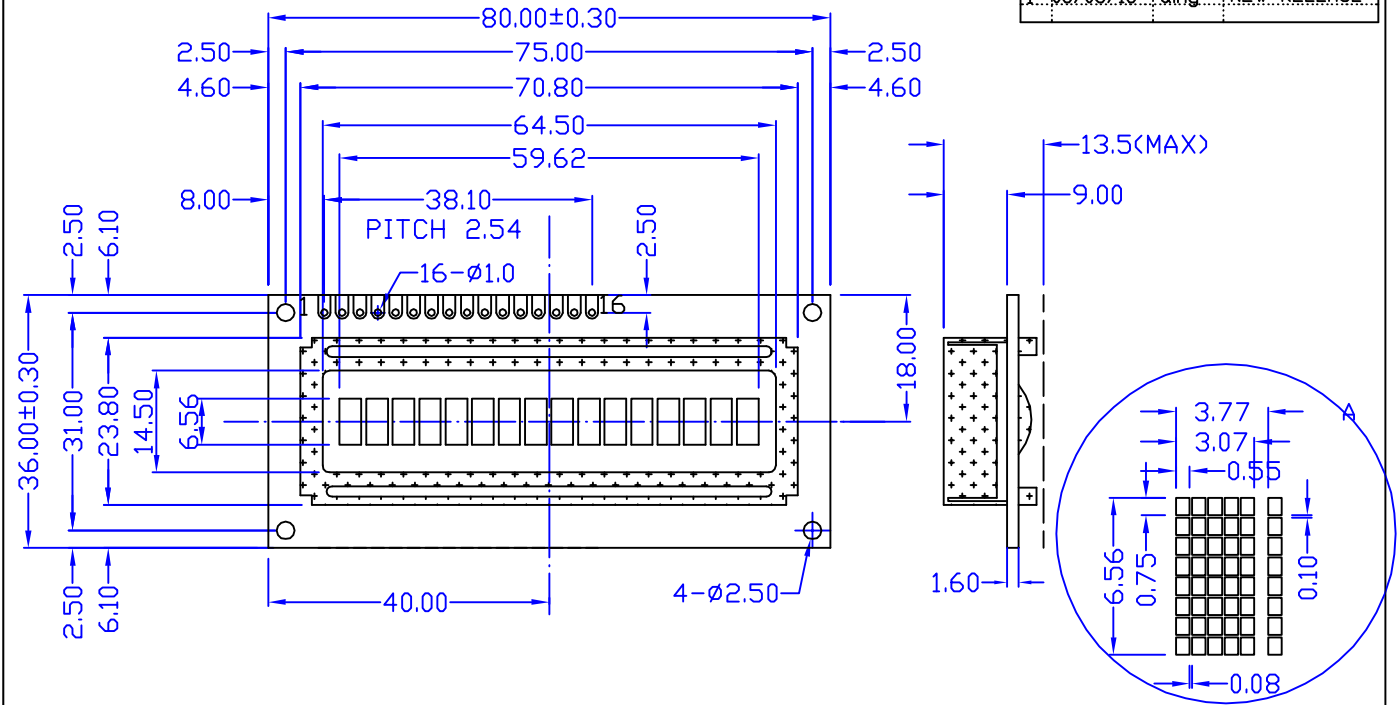


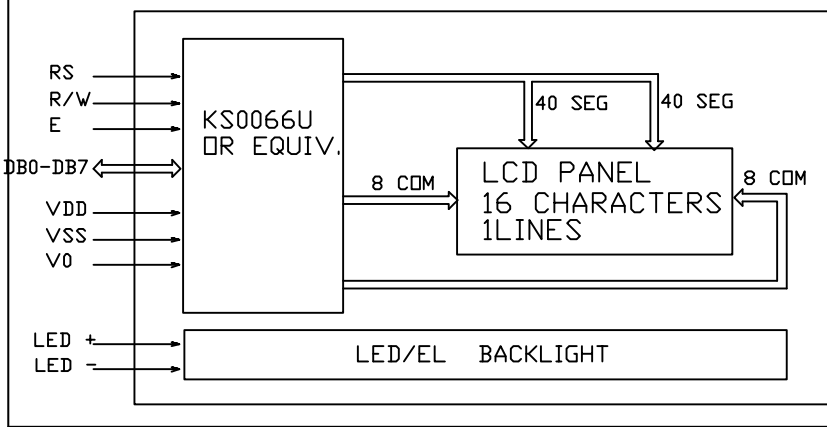
CUSTOMER'S APPROVED:

DATE:

REVISIONS			
NO.	DATE	BY	DESCRIPTION
1.	06/06/18	Ging	NEW RELEASE



### Block Diagram



### Feature

1. BUILT IN CONTROLLER: SPLC780D
2. POWER SUPPLY: 5.0V
3. LCD TYPE: BLUE STN, TRANSMISSIVE
4. BACKLIGHT: LED SIDE BACKLIGHT
5. COLOUR OF BACKLIGHT: WHITE
6. 5X8 DOTS WITH CURSOR
7. VIEWING ANGLE: 6 O'CLOCK
8. TEMPERATURE RANGE: EXTENDED(-20--70)
9. LOW CONSUMPTION, LOW VOLTAGE, HIGH CONTRAST

### Mechanical Data

ITEM	SPECIFICATION	UNIT
OVERALL SIZE	80.0W x 36.0H x 13.5T	MM
VIEWING AREA	64.5W x 14.5H	MM
DOT NUMBER	16 CHARACTERS X 1 LINES	DOTS
DOT SIZE	3.07W x 6.56H	MM
DOT PITCH	3.77W x 6.56H	MM

### Pin Assignment

NO.	SYMBOL	DESCRIPTION
1	VSS	GROUND
2	VDD	POWER SUPPLY FOR LOGIC AND LCD
3	V0	OPERATING VOLTAGE FOR LCD
4	RS	DATA/INSTRUCTION SELECT
5	R/W	READ/WRITE CONTROL
6	E	ENABLE SIGNAL
7--14	DB0--DB7	DATA BUS
15	A	LED BACKLIGHT POWER SUPPLY(+)
16	K	LED BACKLIGHT POWER SUPPLY(-)

### Absolute Maximum Rating

ITEM	SYMBOL	MIN	MAX	UNIT
POWER SUPPLY(LOGIC)	VDD-VSS	0	6.5	V
POWER SUPPLY(LCD DRV.)	VDD-V0	0	18.0	V
INPUT VOLTAGE	Vi	Vi	VDD	V

### Electrical Characteristics

ITEM	SYMBOL	MIN	TYP	MAX	UNIT
VOLTAGE FOR LOGIC	VDD-VSS	4.75	5.0	5.25	V
SUPPLY CURRENT	IDD	-	1.0	2.2	mA
LCD OPERATING VOLTAGE	VDD-V0	0C	-	5.0	V
		25C	-	4.7	V
		40C	-	4.4	V
INPUT VOLTAGE	H	ViH	0.7VDD	-	VDD
	L	ViL	0	-	0.3VDD

DESCRIPTION: C/D	Distar Technology Limited		
GENERAL TOL: ±0.2	<a href="http://www.distarltd.com">www.distarltd.com</a>	Drw	wxr
DO NOT SCALE THIS DRAWING.		Unit:mm	Chk Apv

DS-C1601A-BTSSWE-NAA