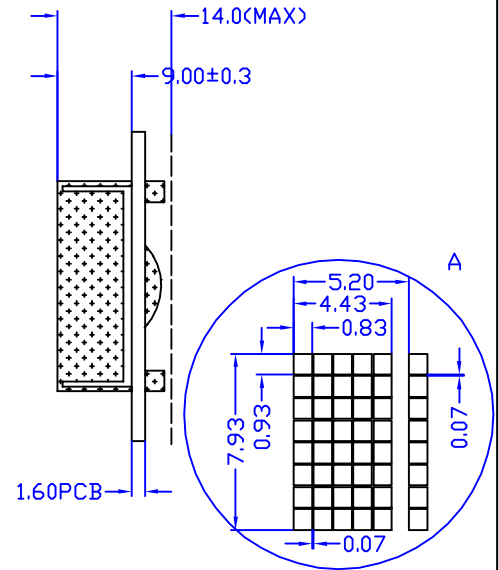
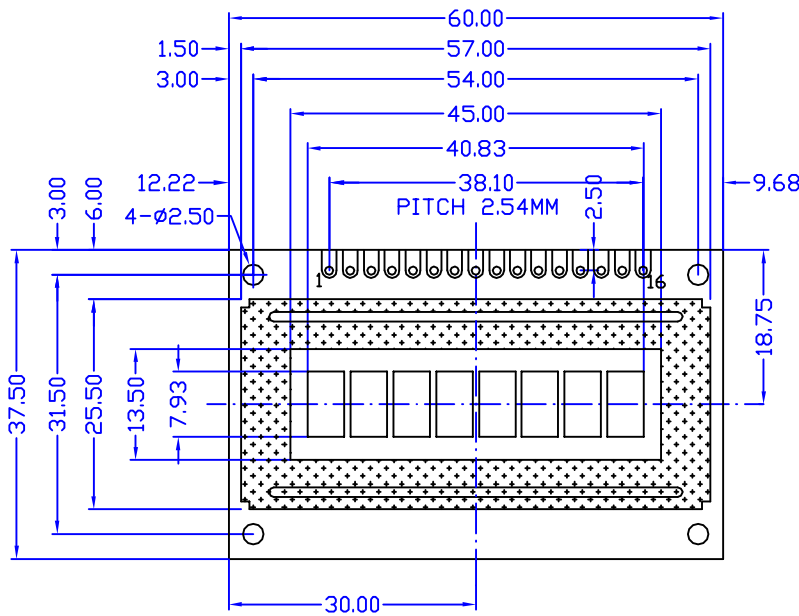


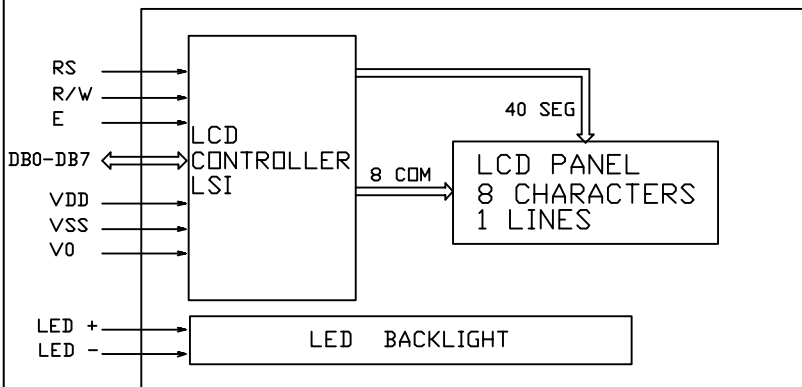
**CUSTOMER'S APPROVED:**

**DATE:**

| REVISIONS |          |      |             |
|-----------|----------|------|-------------|
| NO.       | DATE     | BY   | DESCRIPTION |
| 1         | 06/06/18 | Qing | NEW RELEASE |



**Block Diagram**



**Feature**

1. BUILT IN CONTROLLER: SPLC780D
2. POWER SUPPLY: 5.0V
3. LCD TYPE: YELLOW/GREEN STN, TRANSFLECTIVE
4. BACKLIGHT: LED BOTTOM BACKLIGHT
5. COLOUR OF BACKLIGHT: YELLOW/GREEN
6. 5X8 DOTS WITH CURSOR
7. VIEWING ANGLE: 6 O'CLOCK
8. TEMPERATURE RANGE: EXTENDED(-20--70)
9. LOW CONSUMPTION, LOW VOLTAGE, HIGH CONTRAST

**Mechanical Data**

| ITEM         | SPECIFICATION          | UNIT |
|--------------|------------------------|------|
| OVERALL SIZE | 60.0W x 37.5H x 14.0T  | MM   |
| VIEWING AREA | 45.0W x 13.5H          | MM   |
| DOT NUMBER   | 8 CHARACTERS X 1 LINES | DOTS |
| DOT SIZE     | 4.43W x 7.93H          | MM   |
| DOT PITCH    | 5.20W x 7.93H          | MM   |

**Pin Assignment**

| NO.   | SYMBOL   | DESCRIPTION                     |
|-------|----------|---------------------------------|
| 1     | VSS      | GROUND                          |
| 2     | VDD      | POWER SUPPLY FOR LOGIC AND LCD  |
| 3     | V0       | OPERATING VOLTAGE FOR LCD       |
| 4     | RS       | DATA/INSTRUCTION SELECT         |
| 5     | R/W      | READ/WRITE CONTROL              |
| 6     | E        | ENABLE SIGNAL                   |
| 7--14 | DB0--DB7 | DATA BUS                        |
| 15    | A        | POWER SUPPLY FOR LED BACKLIGHT+ |
| 16    | K        | POWER SUPPLY FOR LED BACKLIGHT- |

**Absolute Maximum Rating**

| ITEM                   | SYMBOL         | MIN            | MAX  | UNIT |
|------------------------|----------------|----------------|------|------|
| POWER SUPPLY(LOGIC)    | VDD-VSS        | 0              | 6.5  | V    |
| POWER SUPPLY(LCD DRV.) | VDD-V0         | 0              | 18.0 | V    |
| INPUT VOLTAGE          | V <sub>i</sub> | V <sub>i</sub> | VDD  | V    |

**Electrical Characteristics**

| ITEM                  | SYMBOL            | MIN    | TYP | MAX    | UNIT |
|-----------------------|-------------------|--------|-----|--------|------|
| VOLTAGE FOR LOGIC     | VDD-VSS           | 4.75   | 5.0 | 5.25   | V    |
| SUPPLY CURRENT        | I <sub>DD</sub>   | -      | 1.0 | 2.2    | mA   |
| LCD OPERATING VOLTAGE | VDD-V0            | 0C     | -   | 5.0    | V    |
|                       |                   | 25C    | -   | 4.7    | V    |
|                       |                   | 40C    | -   | 4.4    | V    |
| INPUT VOLTAGE         | H V <sub>IH</sub> | 0.7VDD | -   | VDD    | V    |
|                       | L V <sub>IL</sub> | 0      | -   | 0.3VDD | V    |

|                           |  |            |
|---------------------------|--|------------|
| DESCRIPTION: C/D          | Distar Technology Limited                                |            |
| GENERAL TOL: ±0.2         | <a href="http://www.distaritd.com">www.distaritd.com</a> | Drw WXR    |
| DO NOT SCALE THIS DRAWING | Unit:mm  | Chk<br>Apv |

DS-C0801A-YFSDYE-NAA